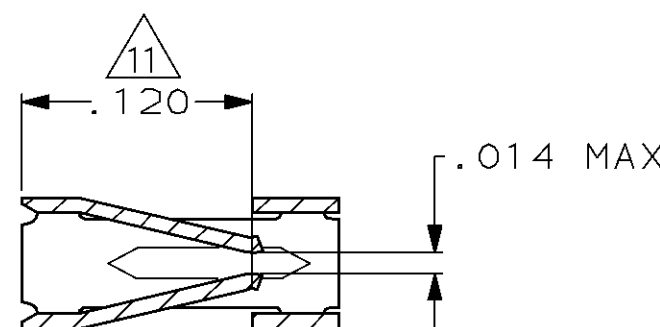
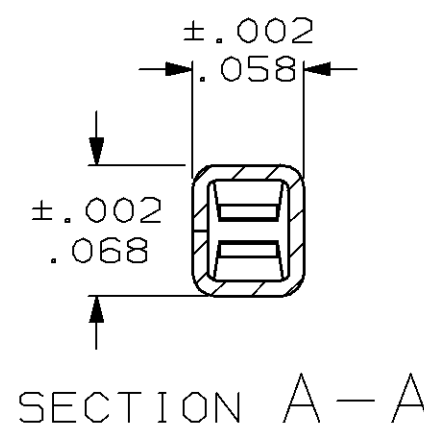
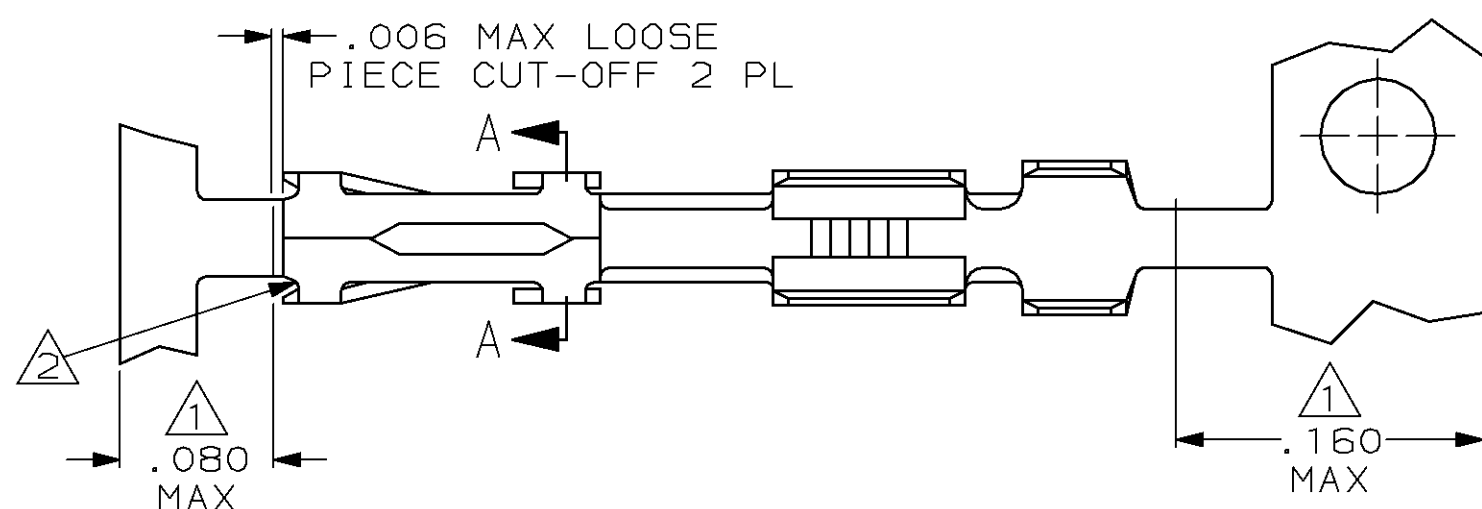
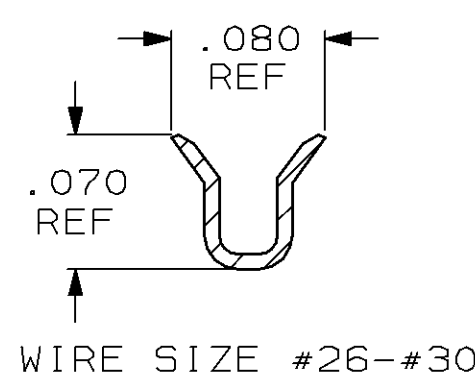


THIS DRAWING IS UNPUBLISHED. RELEASED FOR PUBLICATION, 19  
 © COPYRIGHT 19 BY AMP INCORPORATED, HARRISBURG, PA. ALL INTERNATIONAL RIGHTS RESERVED. AMP PRODUCTS MAY BE COVERED BY U.S. AND FOREIGN PATENTS AND/OR PATENTS PENDING.

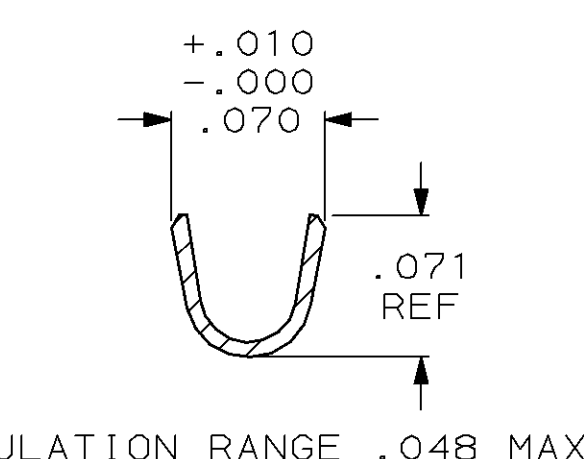
MOD	LOC	DIST	P	F	ZONE	LTR	DESCRIPTION	DATE	APPROVED
30	AD	39							
						V	REVISED AND REDRAWN ECN 893	-	
						W	REVISED ECN 950	LM 2-7-86	JLG
						W1	REVISED ECN 1041	HM 5-1-86	JLG
						W2	REVISED ECN 1133	5-1-86	-
						W3	OBSOLETE ECN 1821	LDR 2-22-88	JLG
						Y	REV ECN AR2029 2120	DK 9-27-88	JLG
						Z	REV PER ECN AR2491	JPG 6-8-89	-
						AA	REV LOC & DIST AD-4171	3-90	BF
						AB	OBS -4 PER 0010-0976-93	1-94	PS
						AC	REV PER 0010-0646-95	8-18-95	SS
						AD	REV PER 0010-0671-95	1-18-96	SS
						AE	OBS -9 PER 0010-0669-96	31DEC96	JH



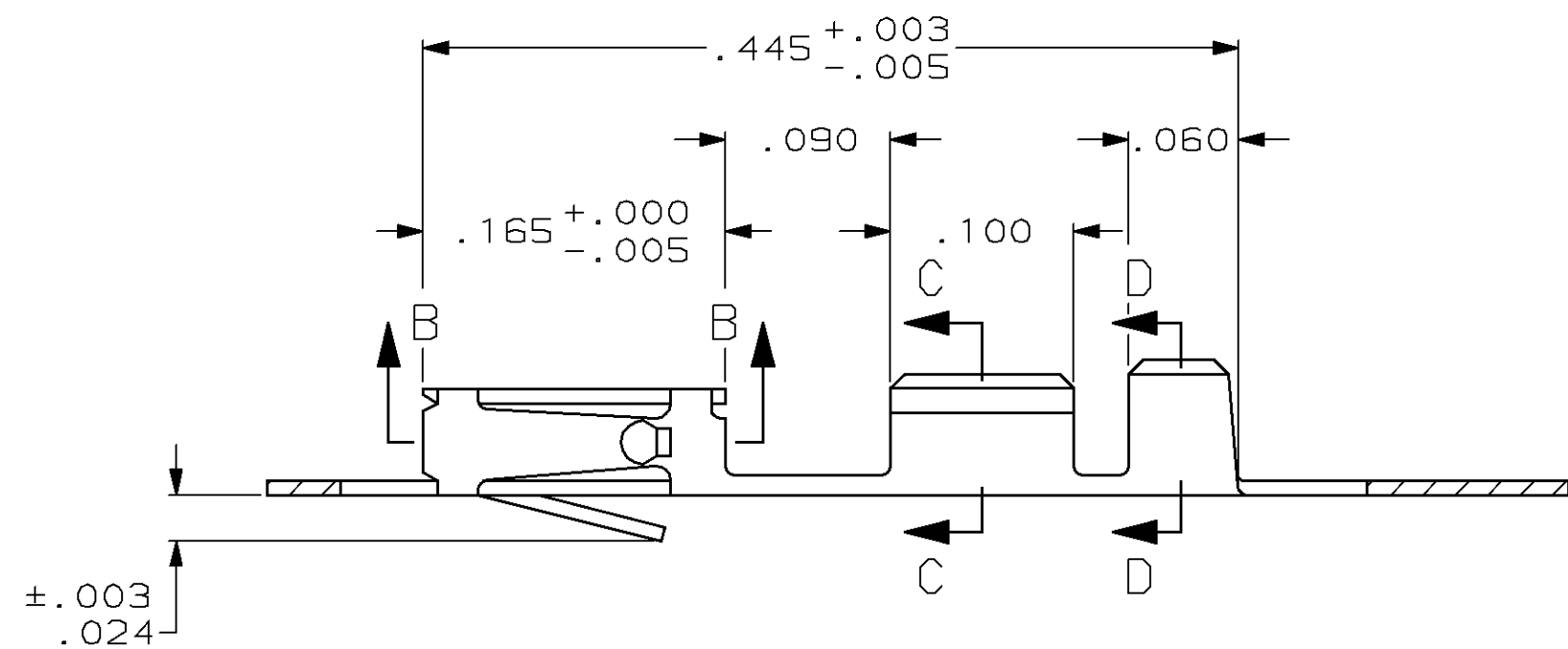
SECTION B-B



SECTION C-C



SECTION D-D



- 1 GOLD PLATING IS NOT REQUIRED IN THIS AREA.
- 2 CUT-OUTS ON THE BOX ARE AT MANUFACTURERS OPTION.
- 3 THIS TERMINAL IS REELED FOR THE STANDARD APPLICATOR.
- 4 THIS TERMINAL IS REELED FOR THE MINI APPLICATOR.
- 5 .000030 GOLD OVER .000050 NICKEL.
- 6 .000030 GOLD ON THE CONTACT AREA, GOLD FLASH ON THE REMAINDER ALL OVER .000050 NICKEL.
- 7 .000100-.000200 BRIGHT TIN-LEAD OVER .000050 NICKEL.
- 8 .000050 GOLD OVER .000050 NICKEL.
- 9 .000015 GOLD ON THE CONTACT AREA, GOLD FLASH ON THE REMAINDER ALL OVER .000050 NICKEL.
- 10 .000100 GOLD ON THE CONTACT AREA, .000030 GOLD ON THE REMAINDER ALL OVER .000050 NICKEL.
- 11 POINT OF MEASUREMENT FOR PLATING THICKNESS (INSIDE BEAMS).
- 12 .000015 GOLD IN CONTACT AREA, .000050 NICKEL ON ENTIRE TERMINAL
- 13 OBSOLETE PART NUMBER.

3	12	13	-7	1-	13	-9
4	12	13	-7	1-	13	-8
4	10	13	-6	1-	13	-1
4	8					1-85967-0
4	7					85967-9
4	6					85967-8
4	5					85967-7
4	9					85967-6
3	9	86015-5			13	-5
3	8	86015-4		13		85967-4
3	7	86015-3		13		-3
3	6	86015-2				85967-2
3	5	86015-1		13		-1

REMARKS	FINISH	LOOSE PIECE PART NUMBER	PART NUMBER

UNLESS OTHERWISE SPECIFIED DIMENSIONS ARE IN INCHES TOLERANCES ON :	DR 12-10-85 L.D. RINGLEY
2 PL DEC ± -	CHK 12-16-85 J.L. GESFORD
3 PL DEC ± .005	APPD 12-16-85 J.L. GESFORD
ANGLES ± -	APPD 12-16-85 CLIFFORD LINDGREN
MATERIAL: BERYLLIUM COPPER, .008 THICK	PRODUCT SPEC 108-25,020
FINISH: SEE TABLE	APPLICATION SPEC 114-25,003
	WEIGHT -

<b>AMP</b> AMP INCORPORATED Harrisburg, Pa. 17105		
NAME <b>CONTACT, MOD IV, RECEPTACLE, CRIMP SNAP-IN</b>		
SIZE <b>C</b>	FSCM NO 00779	DRAWING NO 85967
SCALE NTS	SHEET 1 - 1	